

御 仕 様 書

LS-700

LS-800

PROTECH®

主な仕様

LS-700

Output		出力
HD/SD-SDI(return signal)	2 (HD/SD-SDI 1: BNC x1) (HD/SD-SDI 2: BNC x1)	HD-SDI :1.5G
HD-Y/Composite(return)	1 (BNC x1) : 1Vp-p, 75Ω,	Analog composite or HD-Y ※1
Prompter /Ref. video	1 (BNC x1) : 1Vp-p, 75Ω,	Analog composite or HD-Y, Teleprompter output
Audio (program audio)	2 (XLR 3-pin(female) x2) :	LINE=+4 dB, MIC= -60 dB
Time Code	1 (BNC x1)	
Reference	1 (BNC x1)	
DC out	2 (XLR 4-pin(female) x1) : DC 15 V 3.5 A (Maximum DC 15.3 V 3.5 A) (V-mount x1) : DC 15 V 4.5 A (Maximum DC 15.3 V 4.5 A)	Total 75 W
Monitor I/F	1 (Mini 6-pin(female) x1) :	RET video signal, DC 13.5 V 1 A and TALLY out for VIF-100
Headphone	1 (Stereo mini-jack, Φ 3.5 mm x1)	
Input		入力
HD/SD-SDI	2 (HD/SD-SDI 1: BNC x1) (HD/SD-SDI 2: BNC x1)	HD-SDI :1.485Gbps,1.485/1.001Gbps(reclock) SD-SDI :143Mbps,177Mbps, 270Mbps,360Mbps, 540Mbps(reclock)
HD-Y/COMPOSITE	1 (BNC x1) : 1Vp-p, 75Ω,	Analog composite or HD-Y
Audio (CA audio)	2 (XLR 3-pin(female) x2) :	LINE=+4 dB, MIC= -60 dB, mic P48 on/off
Time Code	1 (BNC x1)	
Intercom		インカム
Intercom headset	2 (XLR 4-pin(male) x2)	
Tally		タリー
Tally signal output	1 (BNC x1)	
Tally indicator	RED 2 (Main panel x1 and Connector panel, ON/OFF Selectable x1) GREEN 1 (Main panel x1)	
Remote		リモコン
Remote	8-pin or 10-pin ※2	
Optical fiber cable connection		光ファイバーケーブル接続
Socket	LEMO P/N: EDW.3K.93C.TLC	
Maximum distance	approx. 1.25 miles (2 km) with DC power supplied from LS-800	
General		一般
Weight	approx. 3.96 lbs. (approx. 1.8 kg)	
Dimensions (WxHxD)	7.80 x 6.89 x 3.58 inches (198 x 175 x 91 mm)	
Power requirement	DC 15 V 19 W Max.	
Power consumption	DC operation Maximum: approx. 19W	
Operating temperature	+32 °F to 104 °F (0 °C to 40 °C)	
Storage temperature	-4 °F to 140 °F (-20 °C to 60 °C)	

※1 : Either of return inputs of LS-800 selected by RET select switch is output.

※2 : 8-pin for SONY RM-B750 or RM-B170/B150 and 10-pin for Panasonic AG-EC4G or AJ-RC10G.

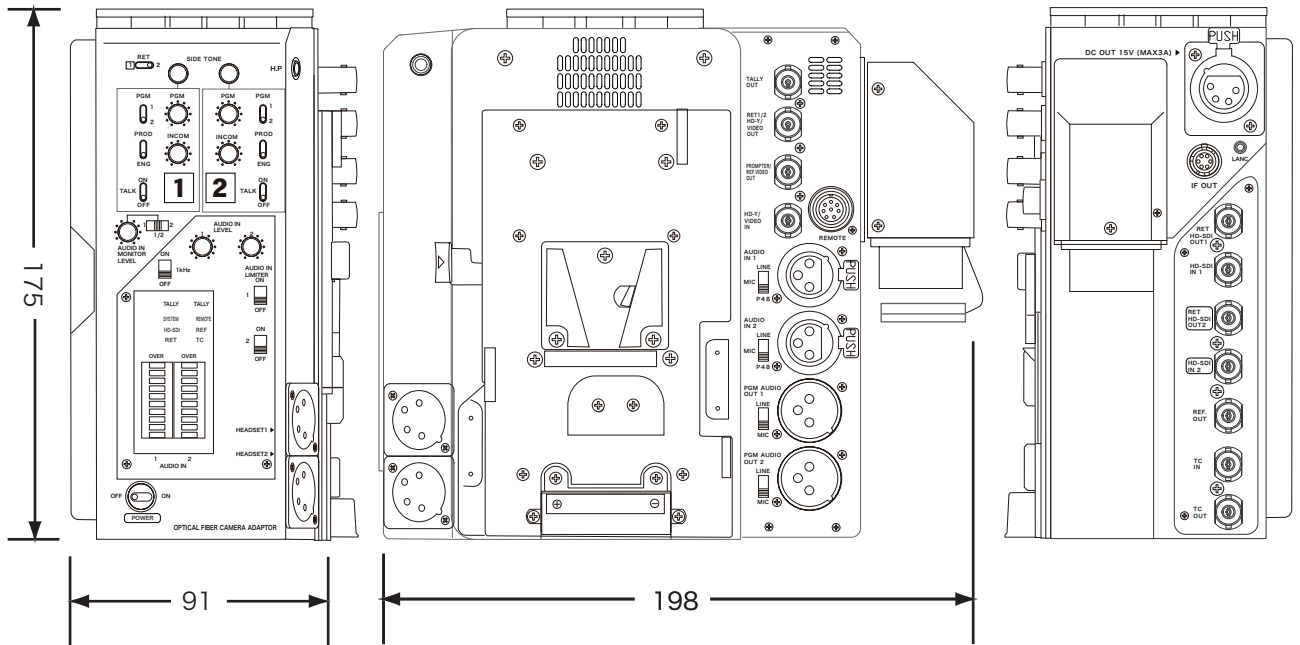
NOTE Features, design and specifications are subject to change without notice.

デザイン、仕様は、予告なく変更することがあります。

20170921

外形寸法図

LS-700



外形寸法図 (単位: ミリ)
Outside dimension (unit: mm)

主な仕様

LS-800

Output		出力
HD/SD-SDI	2 (HD/SD-SDI 1: BNC x3) : Audio,TC embedded (HD/SD-SDI 2: BNC x4) : Audio,TC embedded	
HD-Y/VIDEO composite	1 (BNC x1) : 1Vp-p, 75Ω, Analog composite or HD-Y	
Audio (CA audio)	2 (XLR 3-pin(male) x2) : LINE=+4 dB, MIC= -60 dB	
Time Code	1 (BNC x1)	
Remote Video	1 (BNC x1) (Composite)	
Monitor	1 (Stereo headphone jack φ 6.3mm x1)	
Input		入力
HD-SDI (return signal)	2 (HD/SD-SDI 1: BNC x1) : Audio,TC embedded (HD/SD-SDI 2: BNC x1) : Audio,TC embedded	
HD-Y/VIDEO composite	2 (BNC x2) : 1Vp-p, 75Ω, Analog composite or HD-Y	
Prompter/Ref.video	1 (BNC x1) : 1Vp-p, 75Ω, Analog composite or HD-Y, Telepromoter input	
Audio (Program audio)	2 (XLR 3-pin(female) x2) : LINE=+4 dB, MIC= -60 dB	
Time Code	1 (BNC x1)	
Reference	1 (BNC x1)	
DC	1 (XLR 4-pin(male) x1) : 12 V	
Intercom		インカム
2W line	2, Producer line (XLR 3-pin(female/male) x1/1) 2, Engineer line (XLR 3-pin(female/male) x1/1)	
4W line	1 (HD D-sub 15-pin(female) x1)	
Intercom headset	1 (XLR 4-pin(male) x1)	
Tally		タリー
Tally signal input	1 (HD D-sub 15-pin(female) x1)	
Tally signal output	1 (HD D-sub 15-pin(female) x1)	
Remote		リモコン
Remote	8-pin or 10-pin ※	
Optical fiber connection		光ファイバーケーブル
Plug	LEMO P/N: FXW.3K.93C.TLM	
Maximum distance	approx. 1.25 miles (2 km) with DC power supplied to LS-700 via optical fiber cable	
General		一般
Weight	approx. 7.28 lbs. (approx. 3.3 kg)	
Dimensions (WxHxD)	8.46 x 4.53 x 11.9 inches (215 x 115 x 302 mm)	
Power requirement	AC : 100/200 V(85-240V) 60Hz/50Hz / DC : 12 V(12-16V)	
Power consumption	AC operation Maximum: approx. 128 W / DC operation Maximum: approx. 28 W	
Operating temperature	+32 °F to 104 °F (0 °C to 40 °C)	
Storage temperature	-4 °F to 140 °F (-20 °C to 60 °C)	

※ : 8-pin for SONY RM-B750 or RM-B170/B150 and 10-pin for Panasonic AG-EC4G or AJ-RC10G.

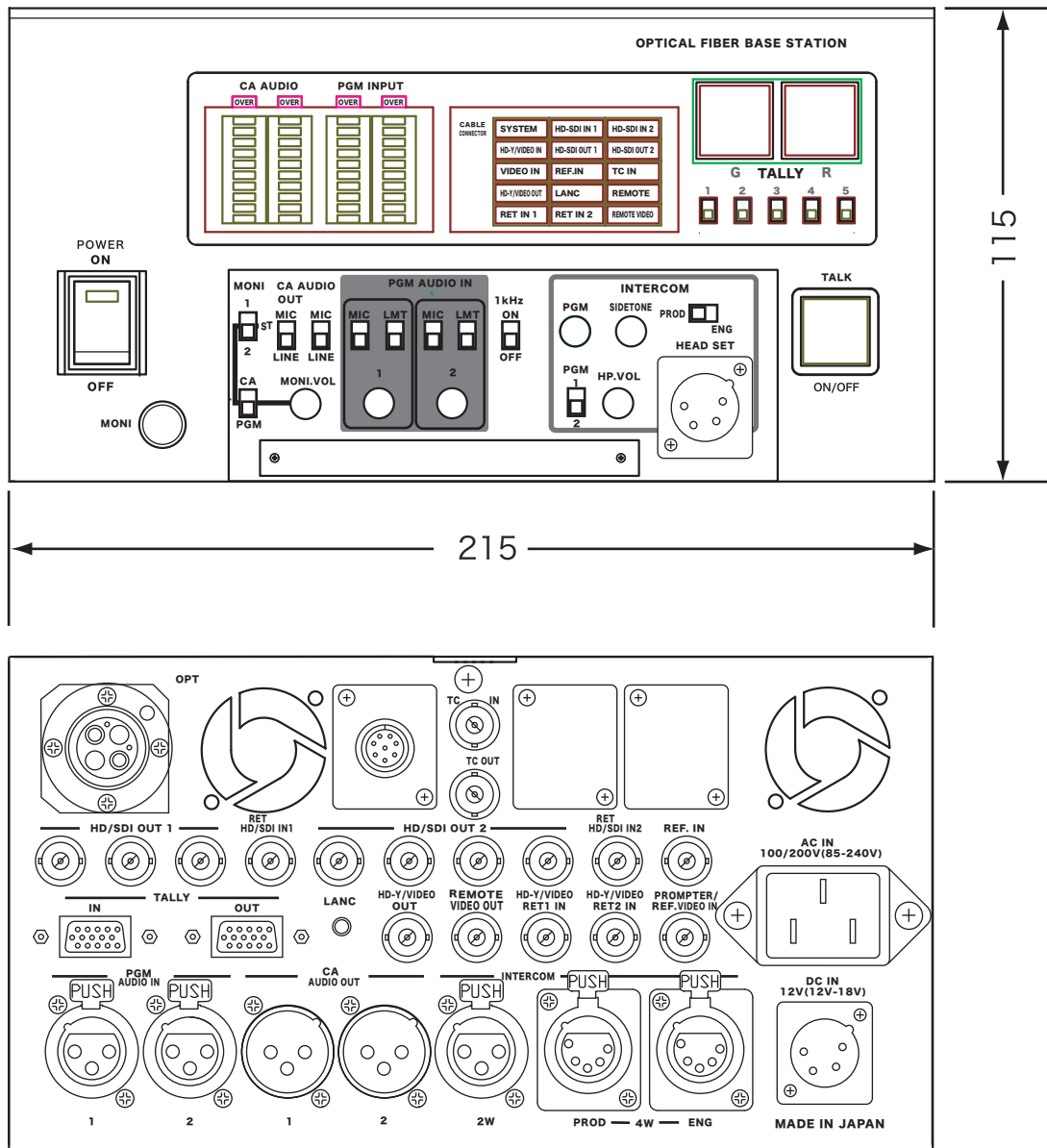
NOTE Features, design and specifications are subject to change without notice.

デザイン、仕様は、予告なく変更することがあります。

20170921

外形寸法図

LS-800



外形寸法図 (単位: ミリ)
Outside dimension (unit: mm)